

Installation instructions for PZ4AL-02670-00, PZ4AL-02671-00 Under Run Protective Shield Engine Bay and Transmission Case

LEXUS NX200T



Model Year: **2014 -**

Vehicle Code: **AGZ15L-AWTLTW**

Part Number: **Steel: PZ4AL-02670-00
Aluminium: PZ4AL-02671-00**



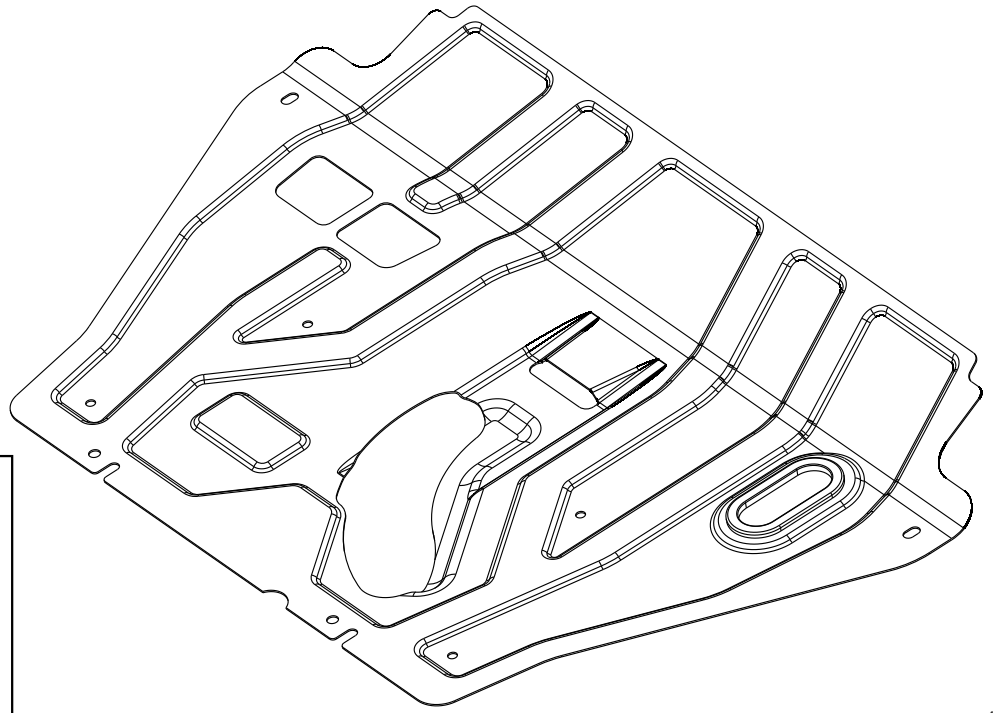
Weight: **Steel: 9,26 kg
Aluminium: 5,98 kg**



Installation Time: **30 min**

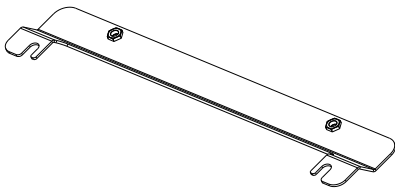
PZ4AL-02670-00, PZ4AL-02671-00

A



1x

F



1x

PZ4AL-08760-60

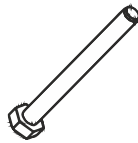
B1



M10x20

2x

B2



M10x100

2x

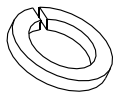
C1



Ø 10

4x

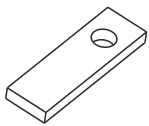
C2



Ø 10G

4x

D

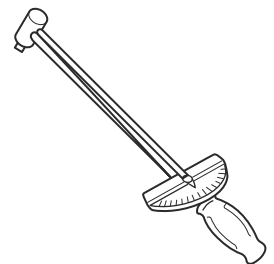
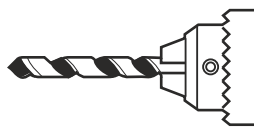
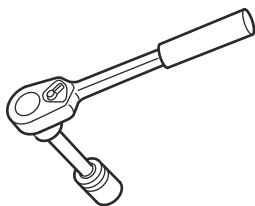


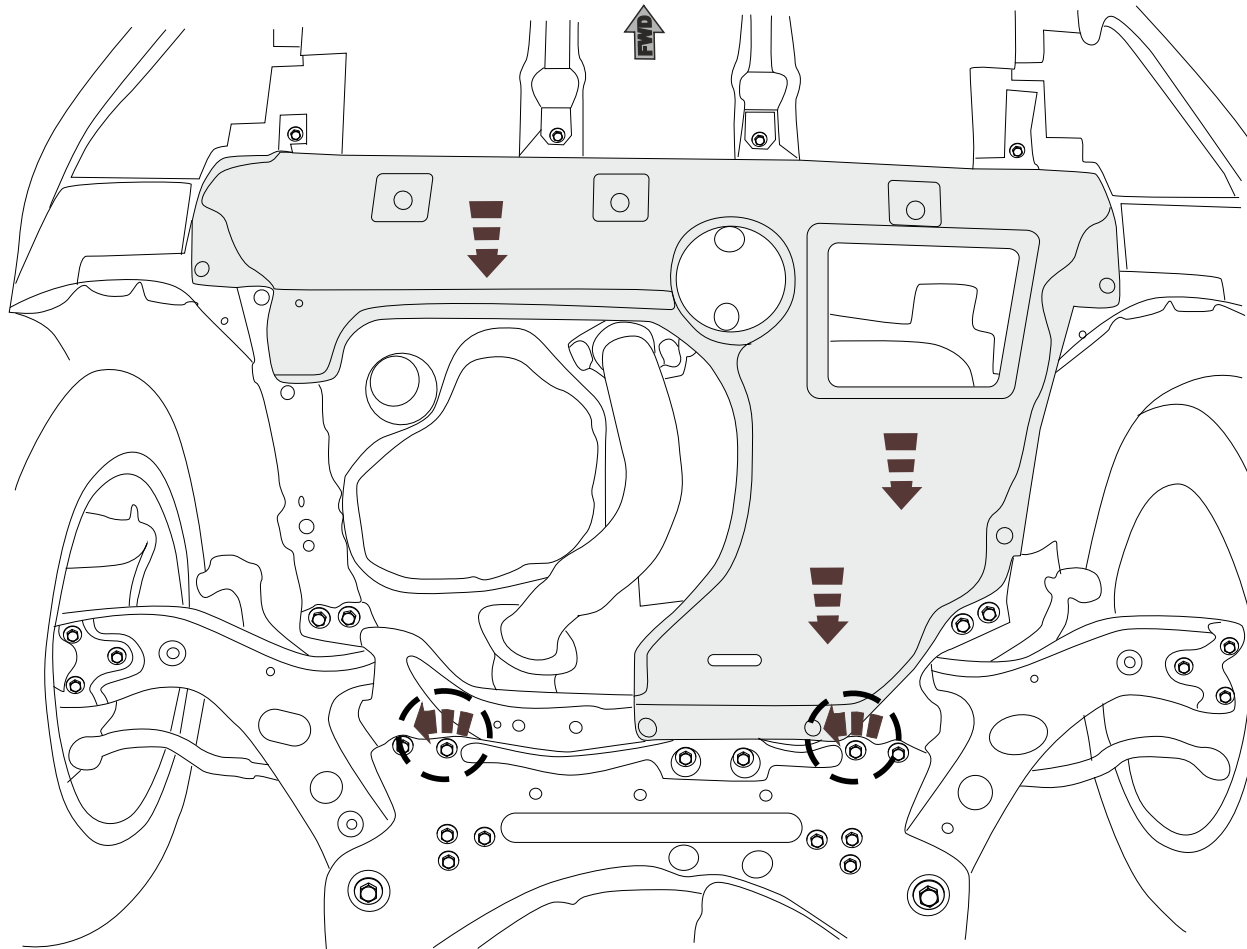
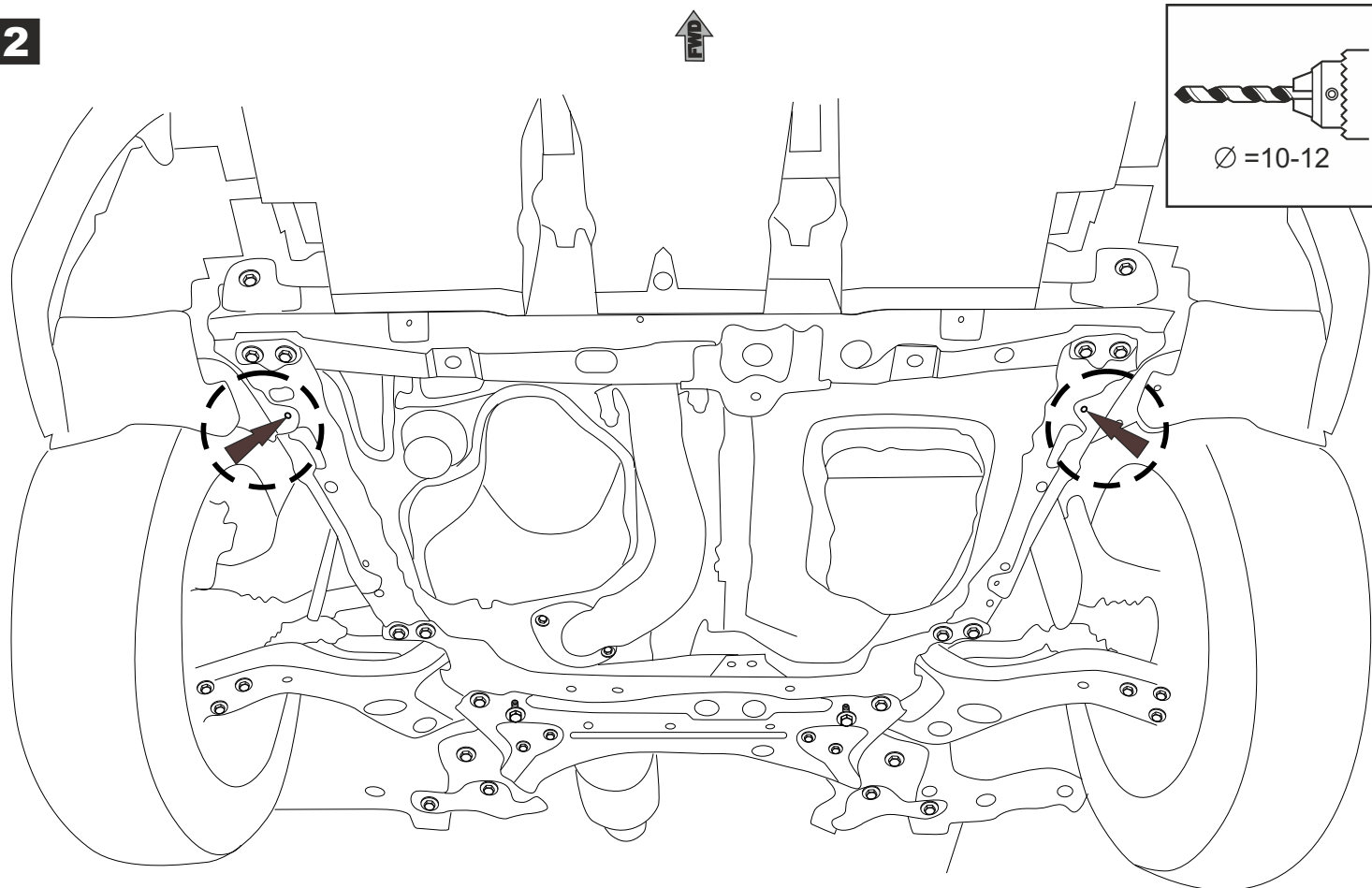
2x

E



2x



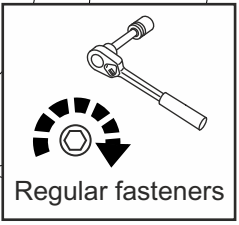
1**2**

3

FWD

D

F



4

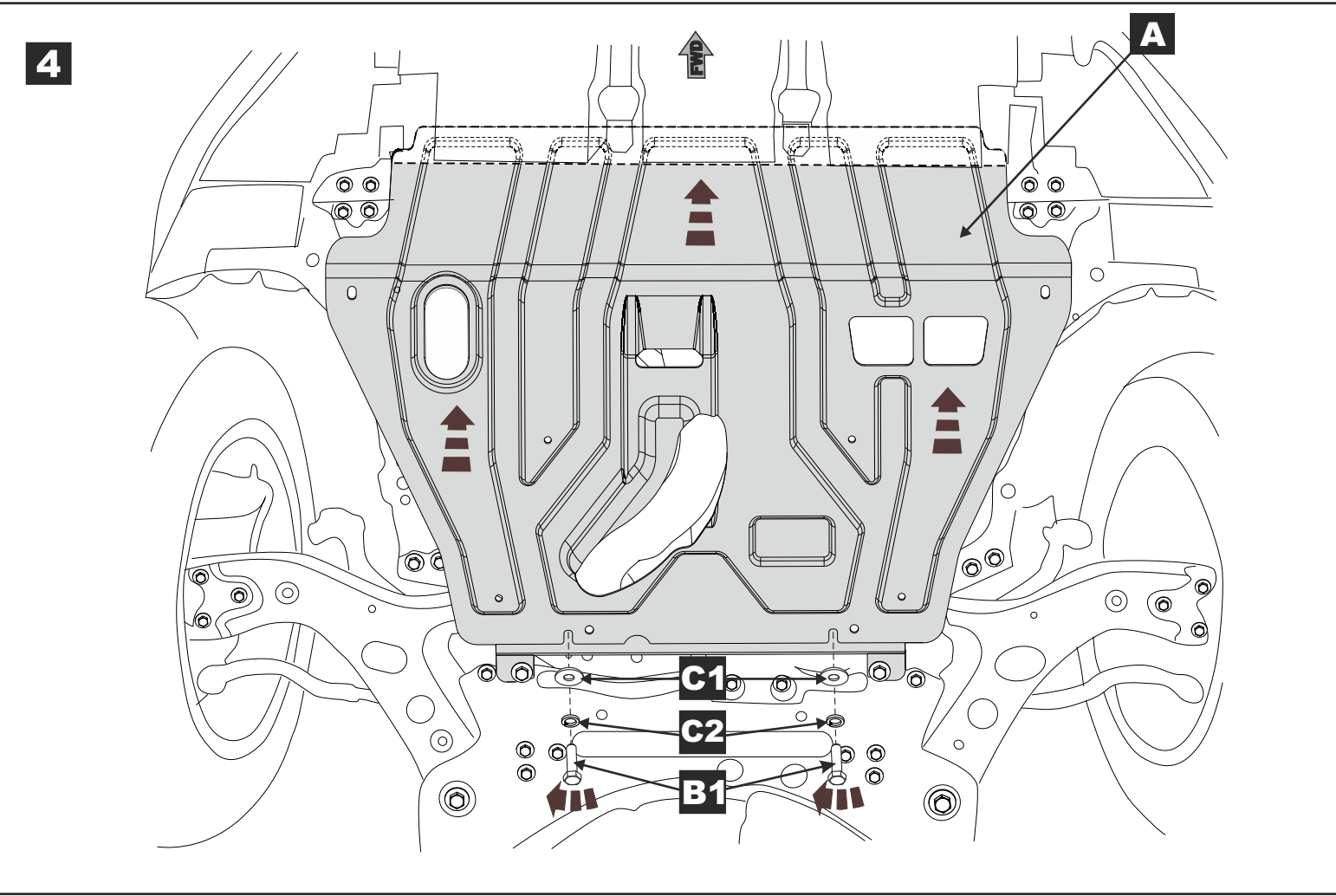
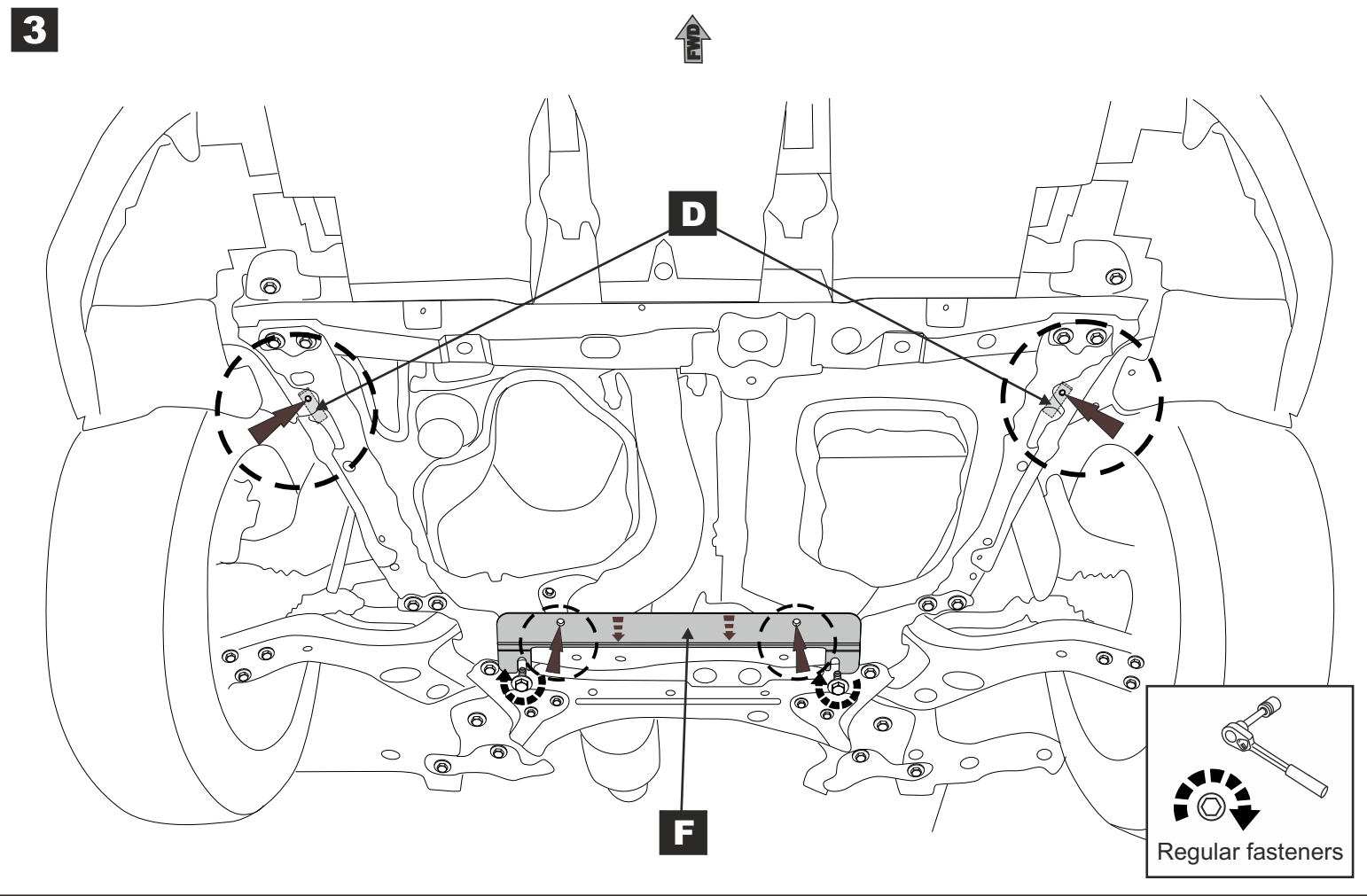
A

FWD

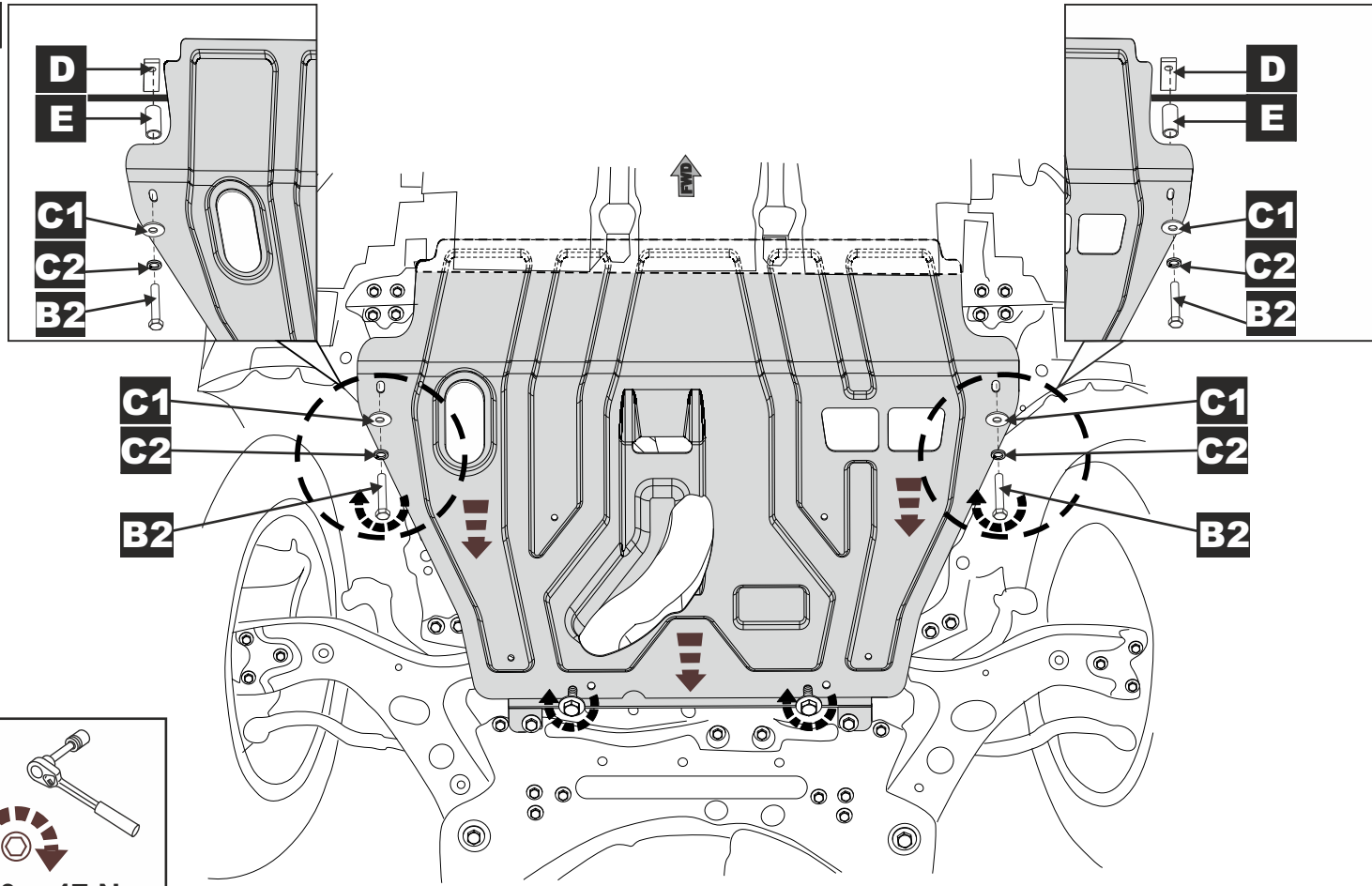
C1

C2

B1



5



6

